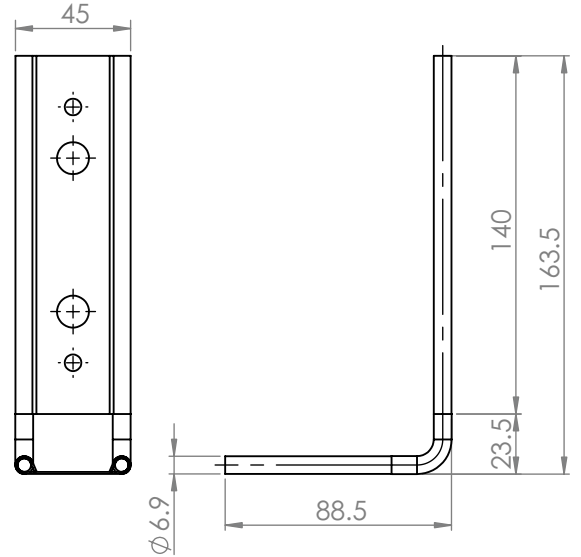


Horizontal Control Gap Tie



DESCRIPTION

Horizontal control gap tie for brick and block work. This tie will retain masonry integrity Against lateral wind loads, sleeves will absorb differential movement.

FEATURES

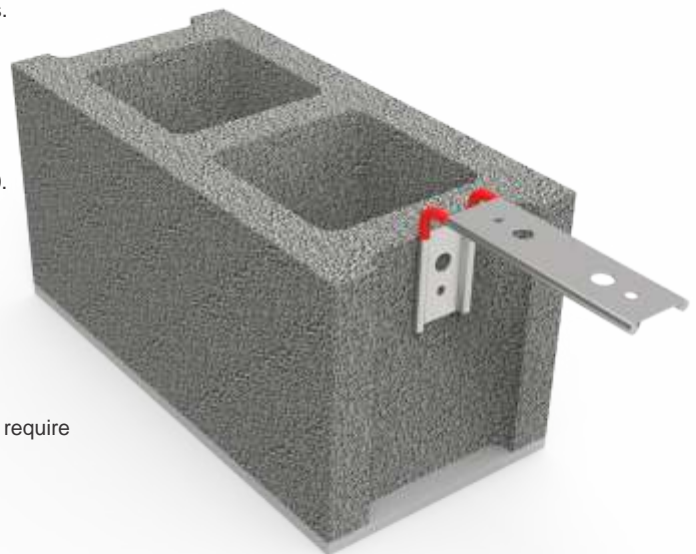
- Clay brick / block work
- Tested to a control gap of 40mm
- Universal applications
- Australian design & tested AS/NZS 2699.2:2020

FIXING REQUIREMENTS

Fixed with approved fasteners, contact us with your project requirements.

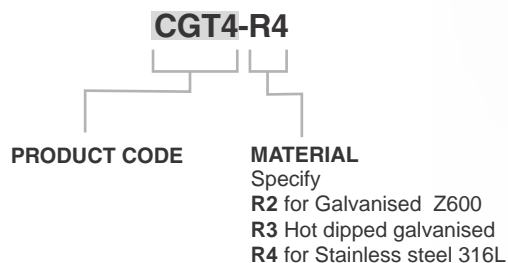
CORROSION CHARACTERISTICS

- Galvanised Z600 (R2)
- Hot dipped galvanising (R3)
- Stainless steel 316L (R4)
- Conforms to corrosion resistance set by AS/NZS 2699.2:2020 / AS 3700.



ORDERING INFORMATION

When ordering please supply use with the part number and quantity you require



Datasheet